

Premium Booth 6mW x 3mD Left Corner Booth

SD-B-18 _L-Cnr _6mW x 3mD x 3.5mH

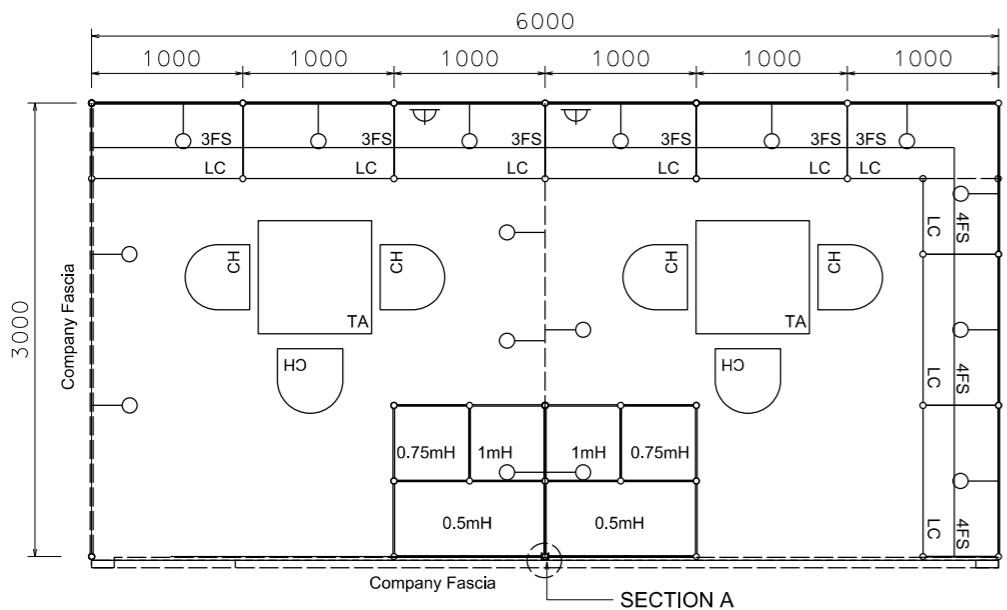
Fascia sticker background in purple-blue (Respect M-3160)
company name letter in white colour sticker

Cool Grey painted fin plywd panel
-Pantone #cool grey2C
for Company fascia and Logo
Company name letters in black

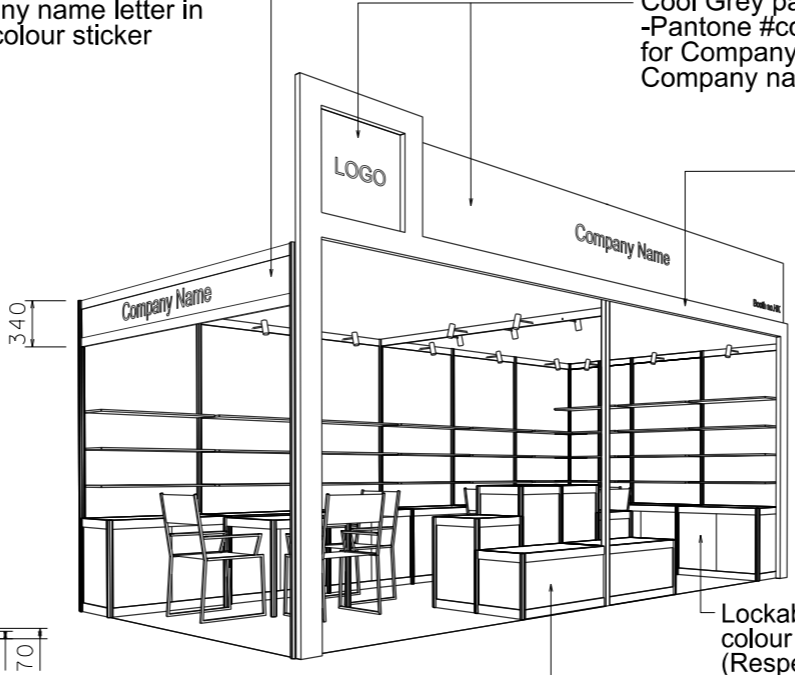
20mm THK wooden
framework in
spray paint fin.
Pantone #2726C

Lockable cabinet with
colour sticker lamination
(Respect M-3160)

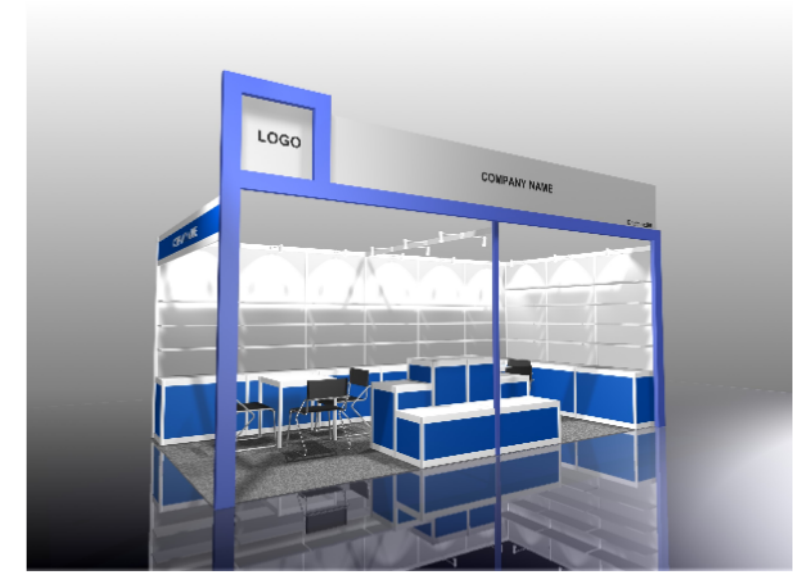
Display podium with
colour sticker lamination
(Respect M-3160)



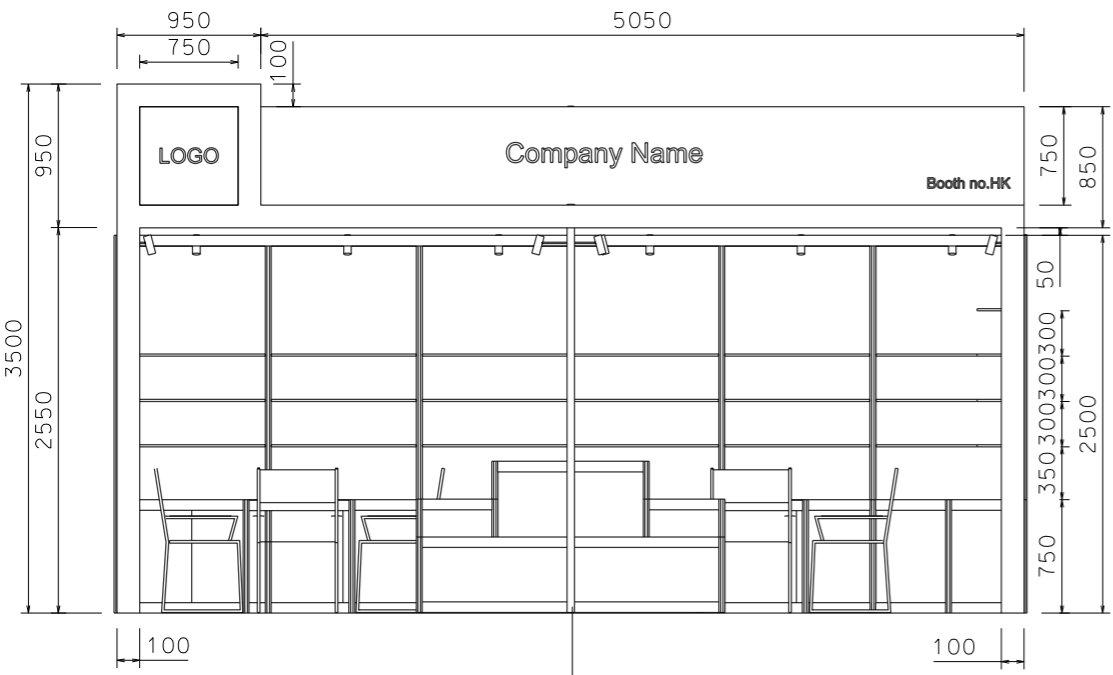
PLAN



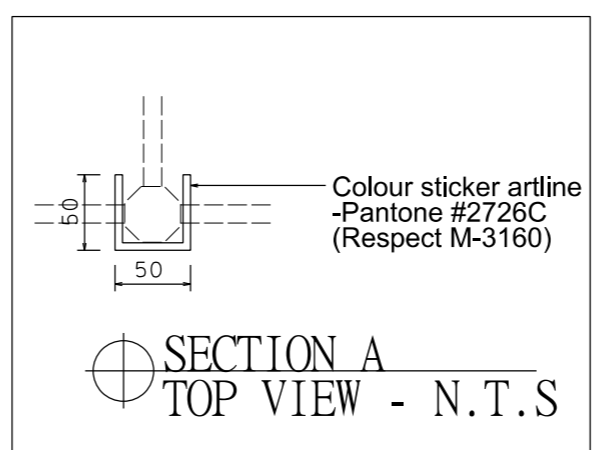
PERSPECTIVE N.T.S



COLOUR PERSPECTIVE N.T.S



FRONT ELEVATION



SECTION A
TOP VIEW - N.T.S

BOOTH SPECIFICATION		QTY
	Lockable cabinet in purple-blue sticker lamination (1mL x 0.5mD x 0.75mH)	8.5
	Wooden shelf (flat) (1mL x 0.3mD)	30
	0.5mX 0.5mX 1mH display podium in blue sticker lamination	2
	0.5mX 0.5mX 0.75mH display podium in blue sticker lamination	2
	1mX 0.5mX 0.5mH display podium in blue sticker lamination	2
	Square meeting table (0.7m X0.7m x 0.75mH)	2
	Black leather chair	6
	Longarmed spotlight w/23 watt energy saving lamp (yellow)	16
	500w Square pin power socket	2
	Company logo	1

FILE PATH - L:\Local Fair Premium Booth 2011\SD-Layouts\SD-B layout\SD-B-2dLAYOUT.dgn



NOTES UNLESS OTHERWISE SPECIFIED ALL DIMENSIONS ARE IN MM.

.....

.....

.....

REVISION
09-02-2009
14-07-2009
22-07-2009
20-01-2010
07-04-2011

DATE:	20-01-2010
SCALE:	1 : 50 (A3)
DRAWN BY:	..
CHECKED BY:

TITLE
Premium Booth
SD-B-18

PROJECT
PREMIUM BOOTH
6m x 3m
DATE: XXXXXXXX

SHEET
SD-B05a